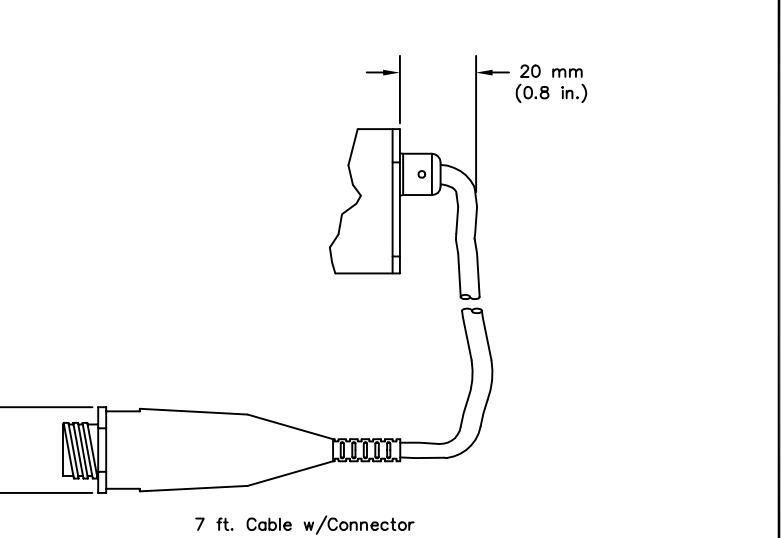
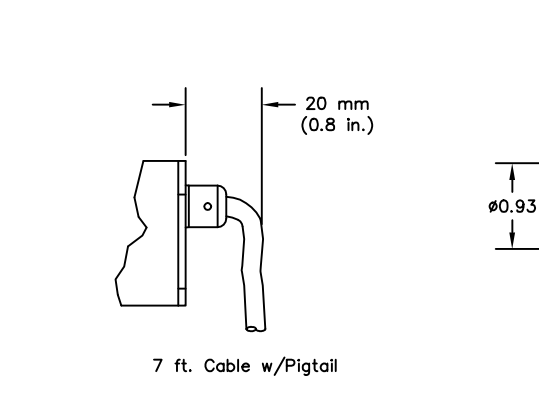
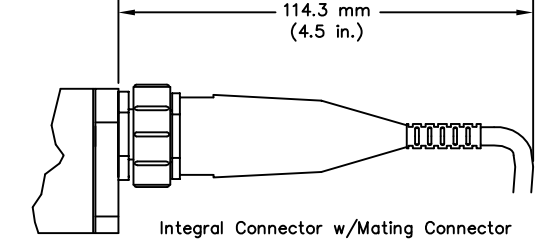
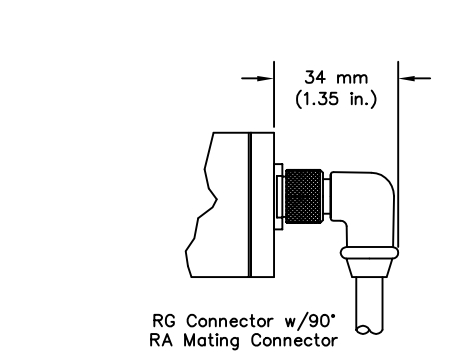
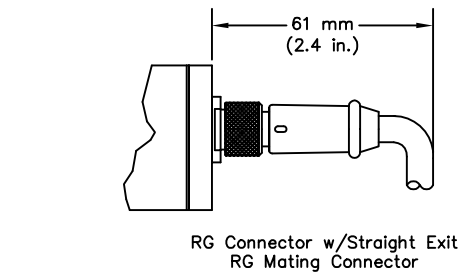
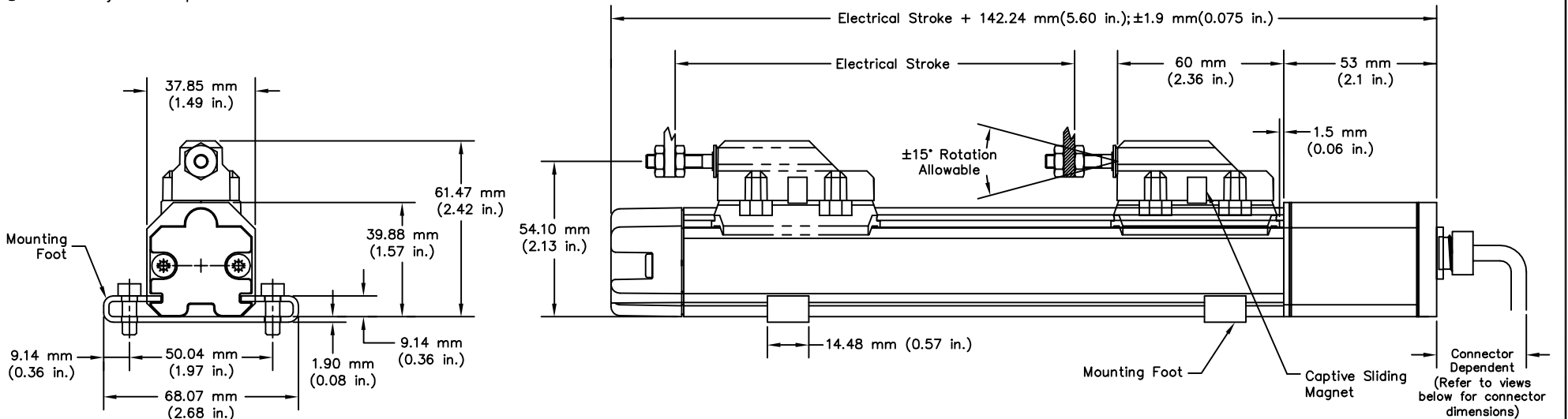


LP CAPTIVE SLIDING MAGNET

Temposonics® sensors are a registered trademark of MTS Systems Corporation
 © 1998 MTS Systems Corporation



| | | | |
|------------------------|----------|---------|-------|
| A | 12/02/98 | 3720 | |
| REV. | DATE | ECO # | |
| TITLE | | | |
| L-Series Captive Slide | | | |
| Profile Style | | | |
| Model Type LP | | | |
| DWG NO. | 901000 | SHEET 1 | OF 1 |
| | | | REV A |