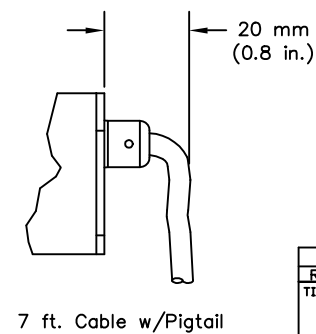
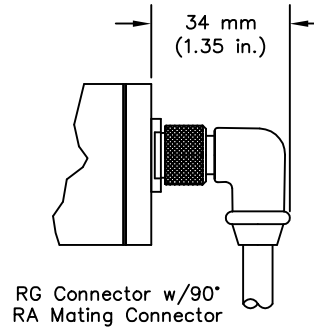
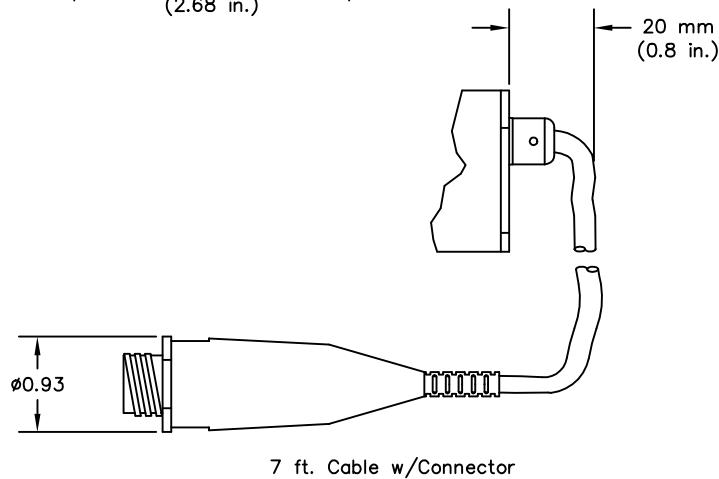
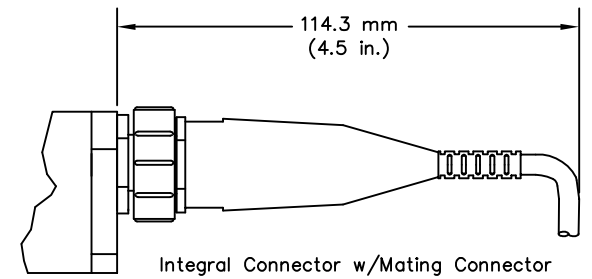
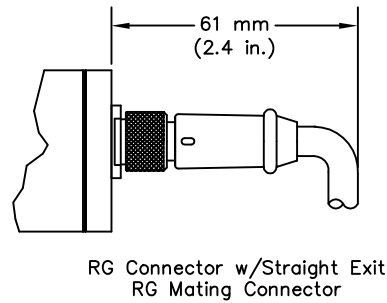
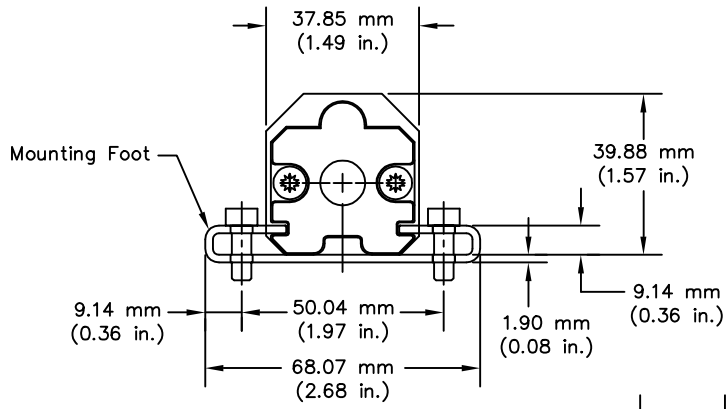
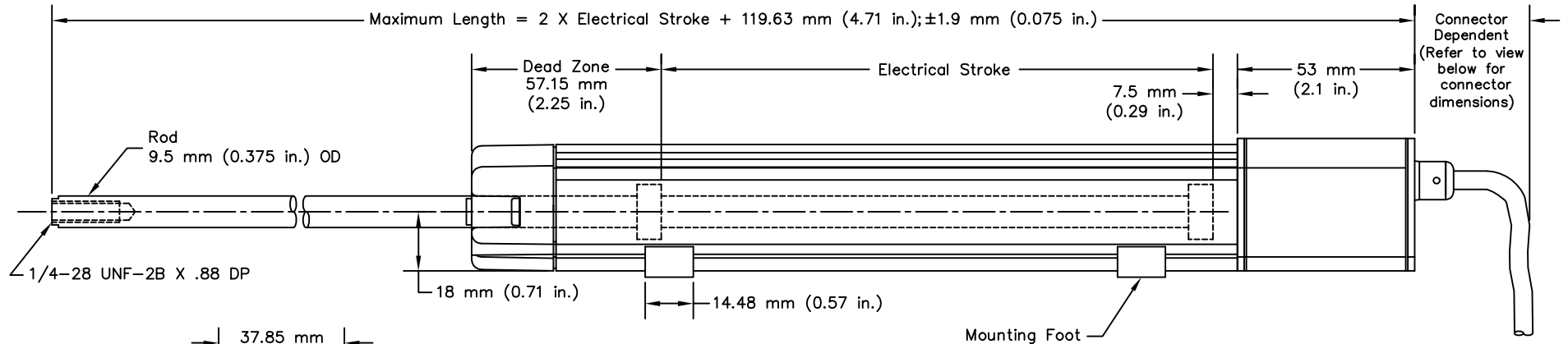


# LP ROD & CYLINDER

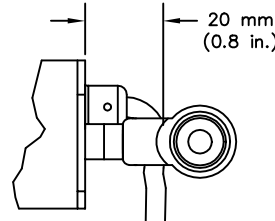
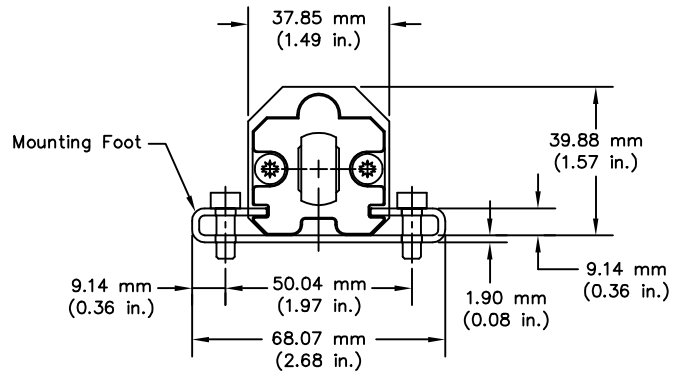
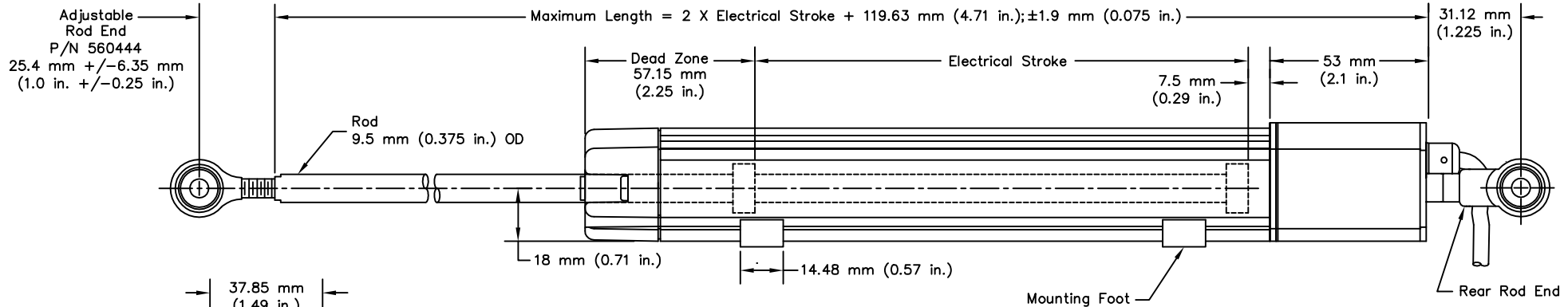
Temposonics® sensors are a registered trademark of MTS Systems Corporation  
 ©1998 MTS Systems Corporation



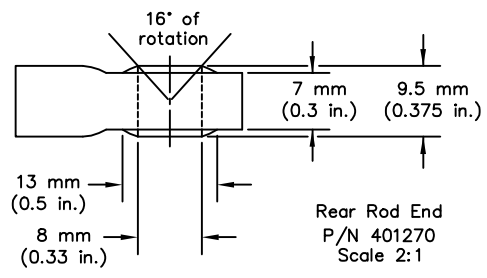
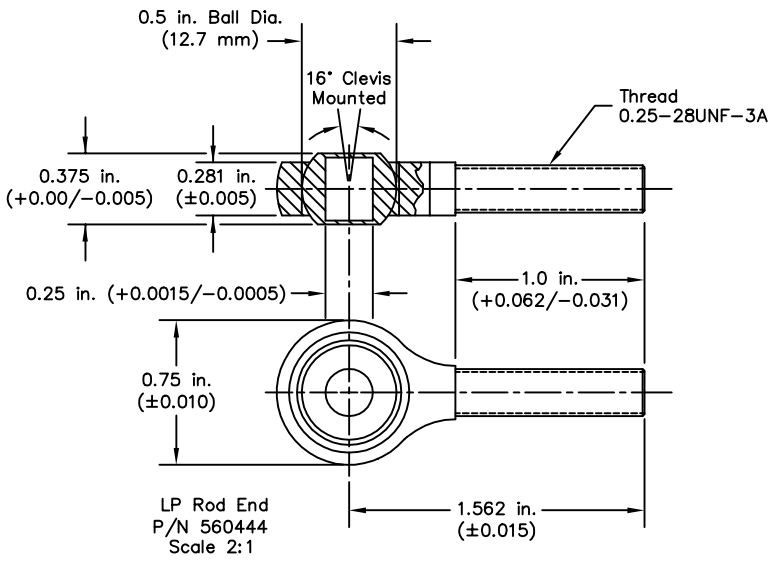
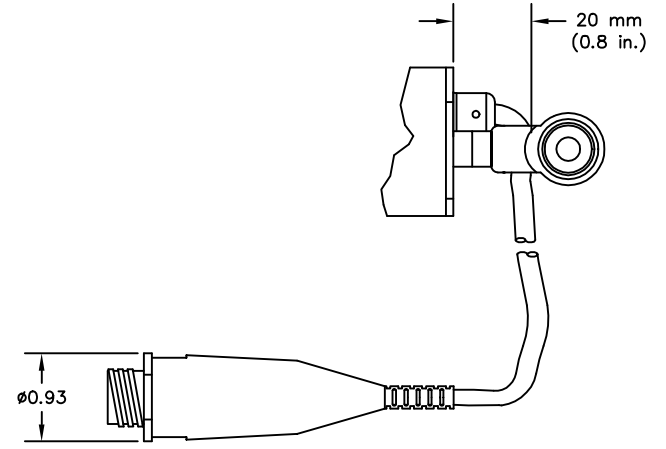
|                                                                |              |       |
|----------------------------------------------------------------|--------------|-------|
| A                                                              | 12/02/98     | 3720  |
| REV.                                                           | DATE         | ECO # |
| TITLE L-Series Rod & Cylinder<br>Model Type LP<br>W/O Rod Ends |              |       |
| DWG NO. 901001-1                                               | SHEET 1 OF 2 | REV A |

# LP ROD & CYLINDER WITH DUAL ROD ENDS

Temposonics® sensors are a registered trademark of MTS Systems Corporation  
 © 1998 MTS Systems Corporation



7 ft. Cable w/Pigtail



|                                                                 |          |              |       |
|-----------------------------------------------------------------|----------|--------------|-------|
| A                                                               | 12/02/98 | 3720         |       |
| REV.                                                            | DATE     | FCO #        |       |
| TITLE<br>L-Series Rod & Cylinder<br>Model Type LP<br>W/Rod Ends |          |              |       |
| DWG NO.                                                         | 901001-2 | SHEET 2 OF 2 | REV A |